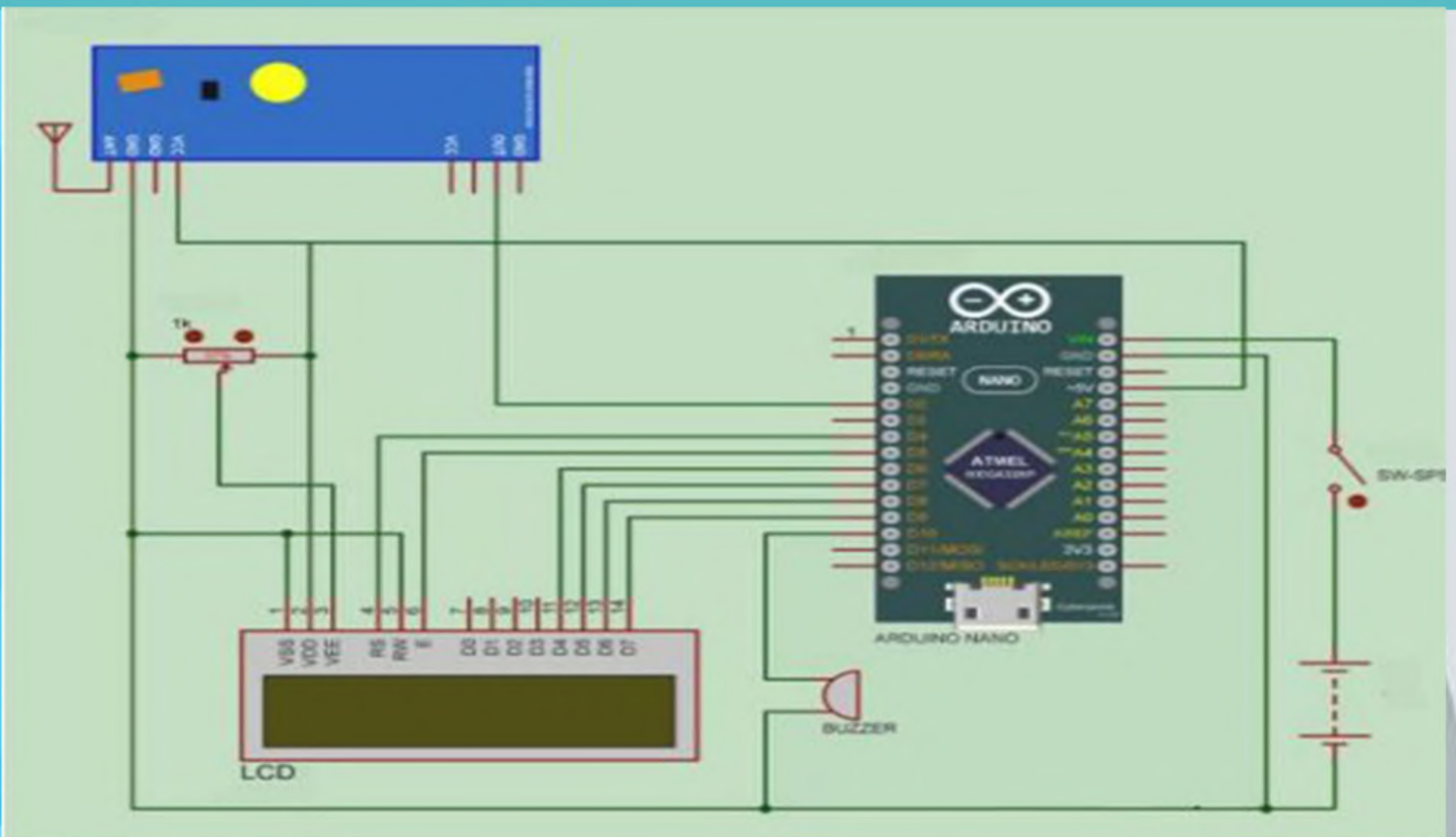
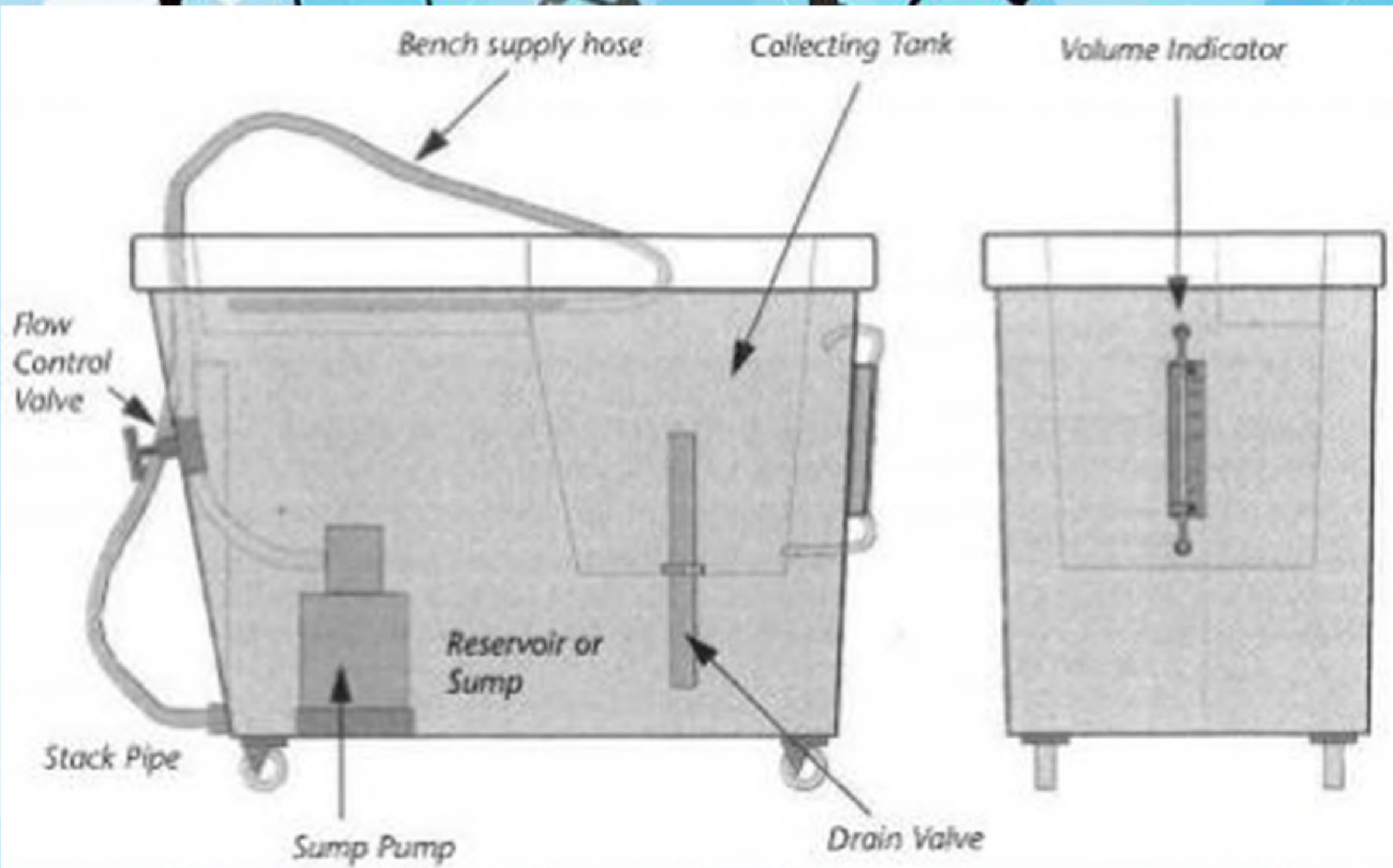


to be taken by experimenter at periodic intervals by continuously bending down causing back pain.

shows the connections to the Arduino and assignments of pins are described in report.

RECEIVER CIRCUIT



FINAL DESIGN

TRIAL RUN USING TUBE

